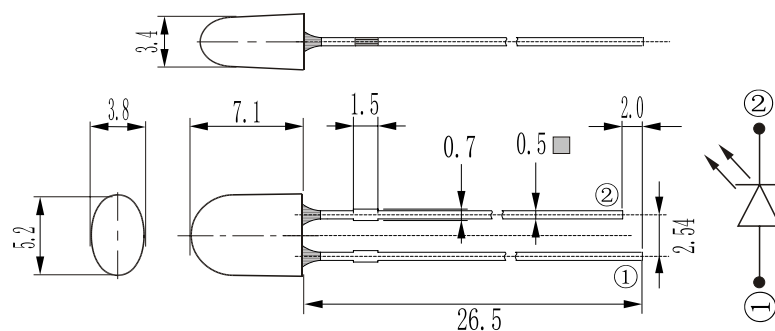


φ5mm Oval Flangless LED Lamp

Part Number	Emitting Material	Wave Length λ_D (nm)	Emitting Color	Lens Type	V_F (V)	I_V (mcd)	Viewing Angle $2\theta_{1/2}$ (°)
					Typ.	Typ.	
CL-5R4PD-546	GaP	700	Red	Red Diffused	2.3	30	
CL-5W4HD-546	GaN	—	White	White Diffused	3.4	200	
CL-5G4HD-546	GaP	565	Green	Green Diffused	2.2	80	
CL-5Y4HD-546	GaAsP/GaP	585	Yellow	Yellow Diffused	2.1	80	
CL-5B4HD-546	GaN	465	Blue	Blue Diffused	3.4	180	
CL-5R4ST-546	AlGaInP	625	Red	Water Clear	2.0	800	
CL-5W4ST-546	GaN	—	White	Water Clear	3.4	2500	
CL-5G4ST-546	GaP	565	Green	Water Clear	2.2	300	
CL-5Y4ST-546	AlGaInP	585	Yellow	Water Clear	2.1	500	
CL-5B4ST-546	GaN	465	Blue	Water Clear	3.4	800	
CL-5R4SC-546	AlGaInP	625	Red	Red Transparent	2.0	800	
CL-5W4SC-546	GaN	—	White	White Transparent	3.4	2500	
CL-5G4SC-546	GaP	565	Green	Green Transparent	2.2	300	
CL-5Y4SC-546	AlGaInP	585	Yellow	Yellow Transparent	2.1	500	
CL-5O4SC-546	AlGaInP	605	Orange	Orange Transparent	2.1	500	
CL-5R4UT-546	AlGaInP	625	Red	Water Clear	2.1	1500	
CL-5B4UT-546	GaN	465	Blue	Water Clear	3.4	1500	
CL-5O4UT-546	AlGaInP	605	Orange	Water Clear	2.1	1200	
CL-5G4UT-546	GaN	525	Green	Water Clear	3.4	5000	
CL-5W4UT-546	GaN	—	White	Water Clear	3.4	5000	

Package Outlines

(unit:mm)



Remark: 1. All dimensions are in millimeters, tolerance is 0.25mm unless otherwise noted.
 2. Above specification is measured by CHANGLI's test instrument and may be changed without notice.
 3. Supplier will reserve authority on material change for above specification.