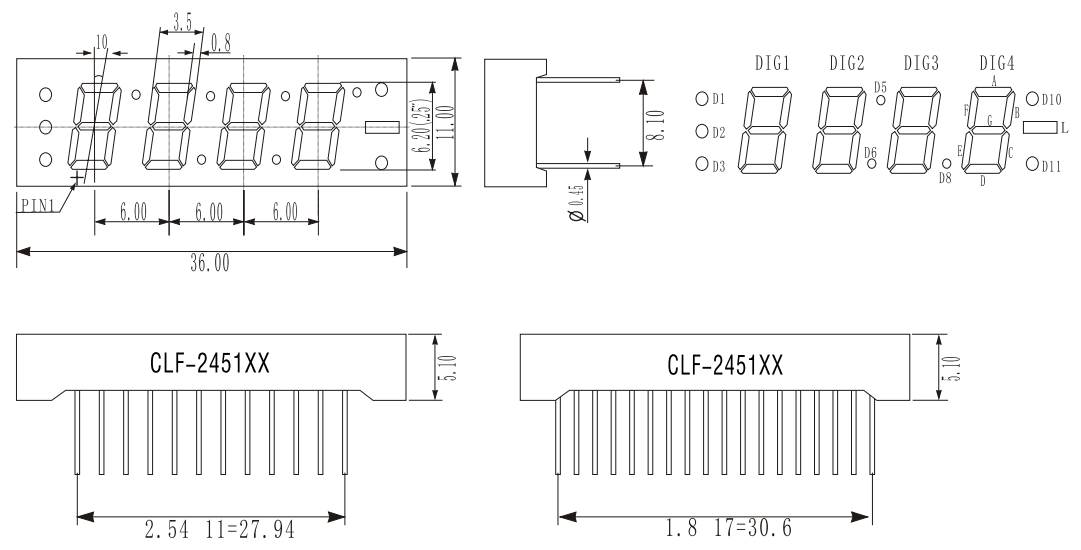


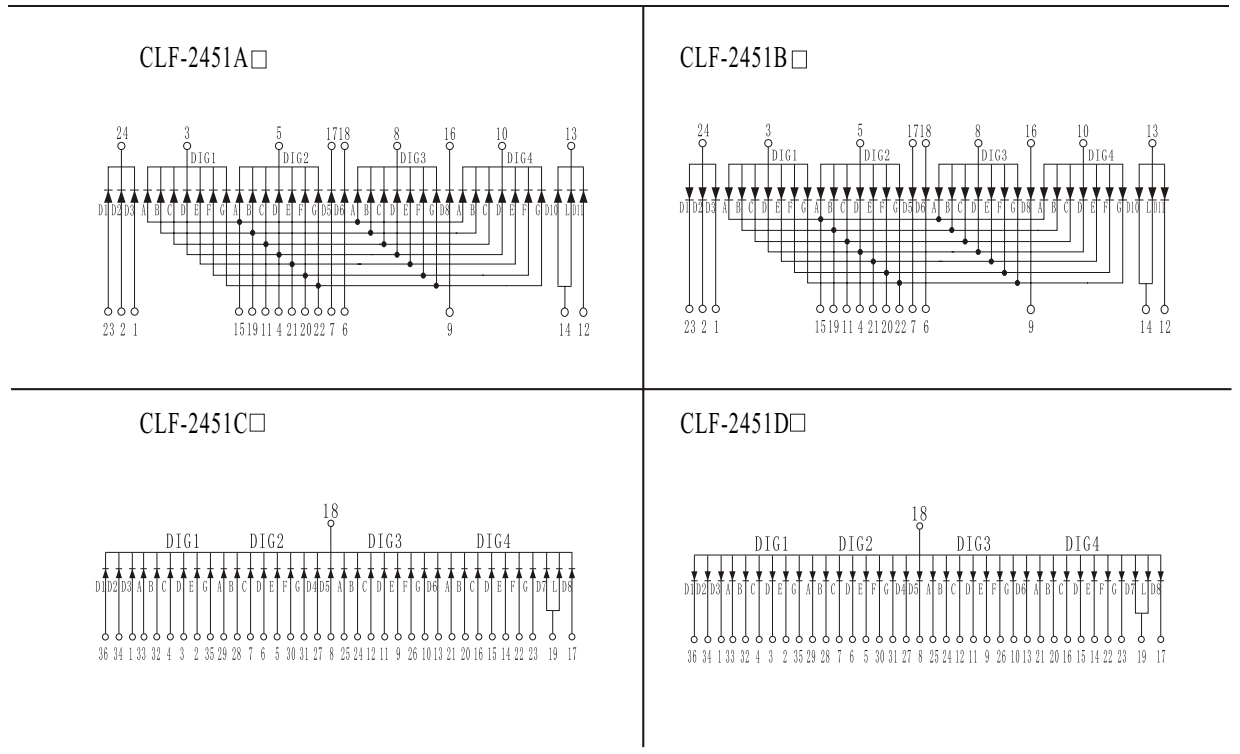
Part No.	LED Chip (Ta = +25°C)				
	Material	Emitted Color	λP (nm)	If = 20mA	
				VF (V)	Iv (mcd)
				Typ.	Max.

CLF-2451Series



CLF-2451△E	GaAsP/GaP	Orange	610	2.0	2.4	10
CLF-2451 G	GaP	Yellow Green	568	2.2	2.6	11
CLF-2451 S	GaAlAs/GaAs	High-Red	660	1.8	2.3	11

INTERNAL CIRCUIT DIAGRAM



Remark : 1. "△" represents Internal Circuit Feature: A、C、E...Common Cathode, B、D、F...Common Anode.
 2. "□" represents LED Emitted Color.
 3. All dimensions are in millimeters(inches), tolerance is ± 0.25mm(0.01") unless otherwise noted.
 4. All the products are RoHS-compliant.
 5. Supplier will reserve authority on material change for above specification.